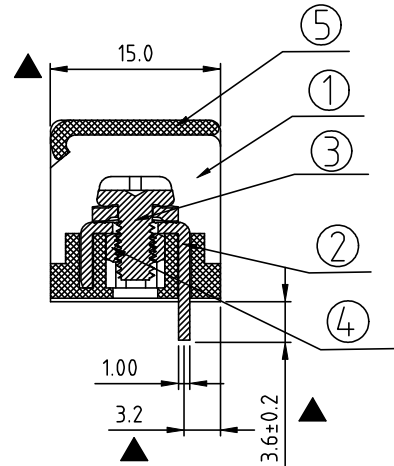
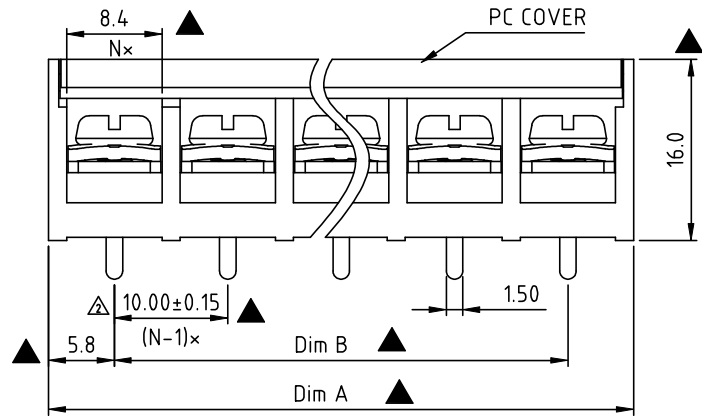
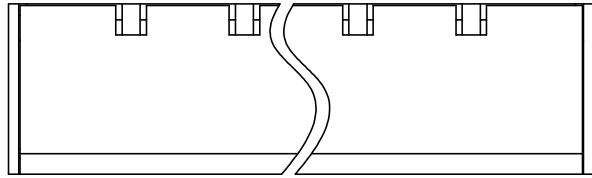


Rev.	SIGN	DATE	DESCRIPTION	APPROVER
B	△	2017.03.01	The first release	Guoxue
C	△	2017.04.11	Modify DIM 10.00±0.10 to 10.00±0.15	Johnson

THIS IS CAD DRAWING, DO NOT REVISE MANUALLY!!!



MATERIALS ELECTRICAL: cULus / TUV
 RATED VOLTAGE & CURRENT: 300 V, 35A / 300V, 35A
 WITHSTAND VOLTAGE: AC 2000 V/Min
 INSULATION RESISTANCE: 1000 MΩ OR MORE AT DC 500 V
 OPERATING TEMPERATURE RANG: -40 °C ~ +130 °C
 SOLDERING TEMPERATURE: 260°C±5°C/5 Sec
 SCREW TORQUE VALUE: 12.0Lb-In.-16.0 Lb-In /1.4N.m-1.8N.m
 WIRE RANGE: 8-22 AWG ; /0.34mm²-10mm²
 1) MOLDED PARTS: PBT, UL 94 V-0 BLACK
 2) TERMINAL: COPPER, 1.0t, Tin PLATED
 3) TERMINAL SCREWS: STEEL Zinc Plated, M3.5
 4) TERMINAL NUT: STEEL Zinc Plated, M3.5
 5) COVER MATERIAL: PC,Transparent .UL94-HB

APPROVAL:
 Critical dimension: ▲

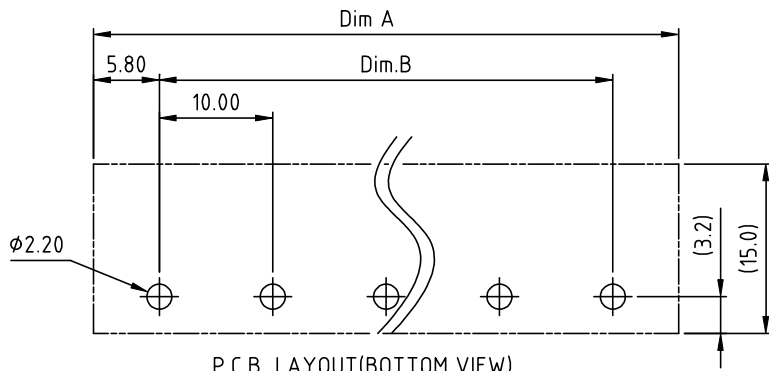
YK 50B xx 2 x x 00G

NO. OF POLES
 02: 2 POLES
 03: 3 POLES
 04: 4 POLES
 :
 12: 12 POLES

G:RoHS compliant(lead<4%)
 in copper alloy

MARK
 0: "@ " MAK
 1: "ANY" MAK

TERMINAL & SCREW PLATED
 0: TERMINAL & SCREW: G/F
 1: TERMINAL: G/F, SCREW: Zinc
 2: TERMINAL: Sn, SCREW: G/F
 3: TERMINAL: Sn, SCREW: Zinc



P.C.B LAYOUT (BOTTOM VIEW)

N=Number of contacts
 Dimension A&B

DIM A	N×10.0+1.6
DIM B	(N-1)×10.0

Dimension A&B	Tolerance
>6~30	±0.30
>30~120	±0.40
>120~400	±0.60

Amphenol
ANYTEK

CUSTOMER COPY

ALL RIGHTS RESERVED. REPRODUCTION OR ISSUE TO THIRD PARTIES IN ANY FORM WHATSOEVER IS NOT PERMITTED WITHOUT WRITTEN AUTHORITY FROM THE PROPRIETOR. PROPERTY OF ANYTEK TECHNOLOGY CO., LTD

TITLE		YK-50B Without Flange Series		
PART NO.	YK50Bxx2xx00G	DWG NO.	8YK0001-50B	
APPROVED	CHECKED	DESIGNED	DRAWN	CUST NO.
		Johnson 2017.04.11	Johnson 2017.04.11	
				Tolerance
				X. ±0.50
				X.X ±0.30
				X.XX ±0.10
				X° ±1°
SHEET: 01/01		UNIT: mm		
		SCALE: NONE		
		REV: C		