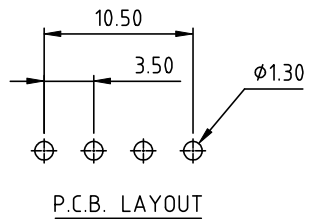
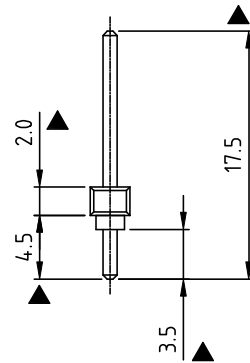
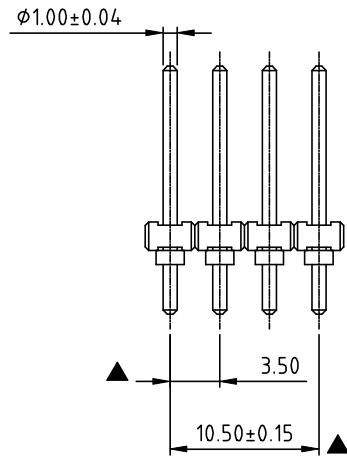
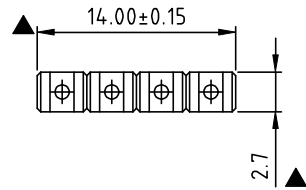


RoHS Compliant

REV	SIGN	DATE	DESCRIPTION	APPROVER

THIS IS CAD DRAWING, DO NOT REVISE MANUALLY!!!



P.C.B. LAYOUT

Material:

- Item ③ Terminal(housing): Thermoplastic (UL94V-0)
  - Item ④ Contact pin: Brass,Matted Tin plated
- Electrical: cULus
- Voltage rating: 300V
  - Current rating: 10A
  - Withstanding Voltage: 1.6KV
  - Operating temperature: -40°C to +130°C
  - Wave Soldering temperature: 260°C±5°C/5 Sec
  - Safety Approval:
  - Critical dimension: ▲

NOT FOR PRODUCTION

Amphenol ANYTEK				CUSTOMER COPY		
ALL RIGHTS RESERVED. REPRODUCTION OR ISSUE TO THIRD PARTIES IN ANY FORM WHATEVER IS NOT PERMITTED WITHOUT WRITTEN AUTHORITY FROM THE PROPRIETOR. PROPERTY OF ANYTEK TECHNOLOGY CO., LTD						
TITLE	OP 3.5 Series (配130P000G16PIN針, 腳長3.5mm)					
PART NO.	OP042200007G			DWG NO.	80P0141	
APPROVED	CHECKED	DESIGNED	DRAWN	CUST NO.	Tolerance	
		Chen Bo 10/09-19	Chen Bo 10/09-19		UNIT: mm	X. ±0.50
					SCALE: NONE	X.X ±0.30
					SHEET: 01/01	X.XX ±0.10
				REV.: A0	X° ±1°	